

TB EQUIPMENT

McLINTOCK® SETS

Y 3990 McLINTOCK® TT SYRINGE

A precision instrument designed for both accuracy in dosage and speed in testing. The syringe can be preset for the required number of doses (up to twenty), each of 0,1cc.



Y3990

Y 3993 RECORD NEEDLES (12's)

For McLintock® TT Syringe (Y 3990).



McLintock® Record Needle



Record Nozzle Keeper



Record Nozzle

Y3993

Y 3992 SCHIMMEL NEEDLES (20's)

For McLintock® TT Syringe (Y 3990).



Schimmel Needle



Schimmel Nozzle



Schimmel Nozzle Adaptors (Short/Long)

Y3992

Y 3998 TT CALIPER (HAUPTNER)

Manual reading

Revolver Grip: analogue/manual reading



Y3998

Y 3999 TT CALIPER (HAUPTNER)

Digital reading

Revolver Grip: digital reading



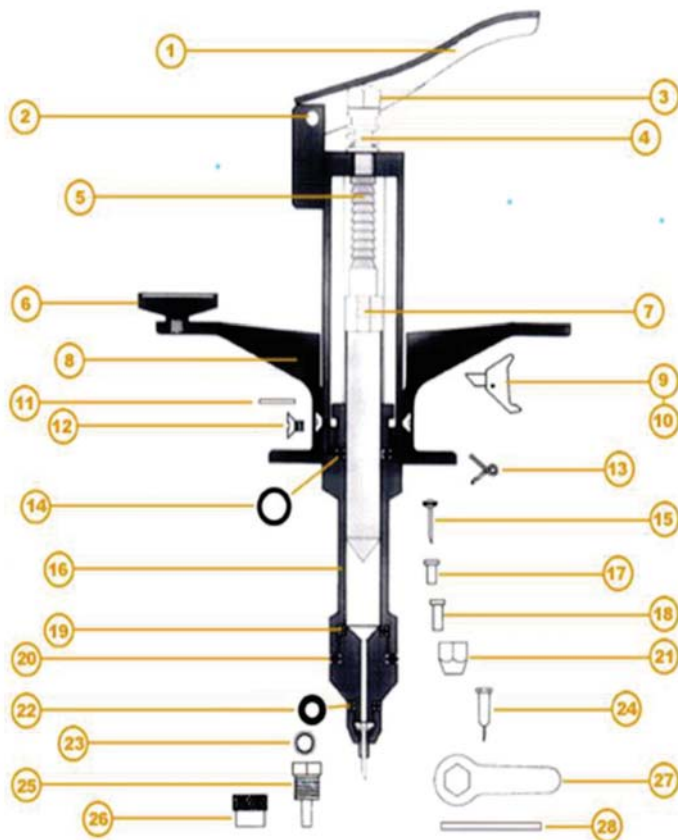
Y3999

TB EQUIPMENT

SPARE PARTS

Spare parts are available on request.

McLintock® Preset Syringe Spare Parts



1. Pressure lever
2. Pressure lever screw
3. Ratchet rod knob
4. Ratchet rod spring
5. Ratchet rod
6. Thumb knob (red or blue)
7. Piston
8. Finger bar
9. Single pawl
10. Double pawl (not shown)
11. Pawl rivet (2)
12. Finger bar screw (2)
13. Pawl spring (2)
14. Sealing ring
15. Schimmel needle
16. Barrel
17. Schimmel nozzle adaptor (short)
18. Schimmel nozzle adaptor (long)
19. Main nozzle washer (gasket)
20. Holster ring
21. Schimmel nozzle
22. Needle nozzle washer
23. Record nozzle washer
24. Record needle
25. Record nozzle
26. Record nozzle keeper
27. Hex spanner
28. Tommy bar (2)